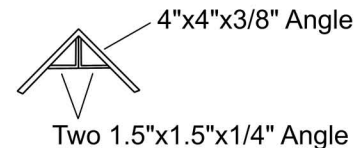


ACCA Angle Iron Cupola Design Sides

Horizontal Bar Design with Stiffener

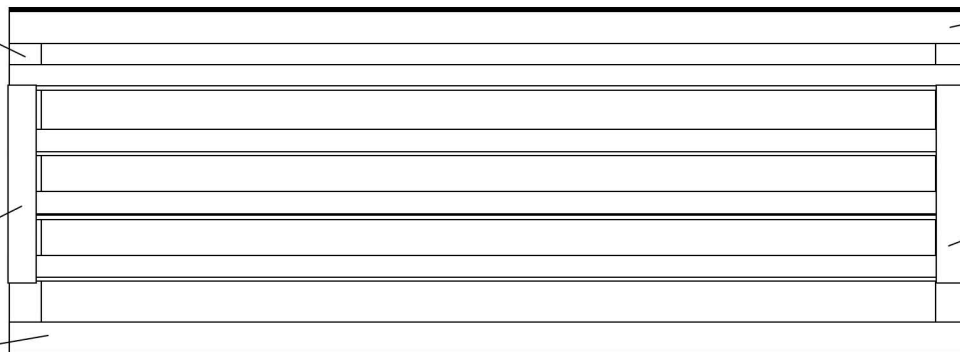


Place 2" welds every 3' on sides and middle joints of stiffeners



Vertical Column
4"x4"x3/8" Angle

Cupola End View



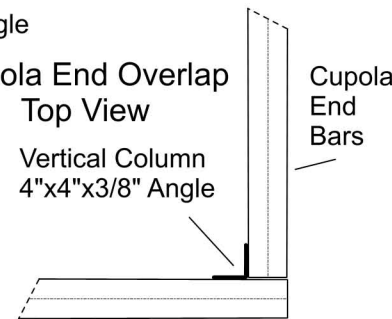
Top Plate
4"x4"x3/8" Angle

Bat Guard

Bat Guard

Sill Plate
4"x4"x3/8" Angle

Cupola End Overlap Top View

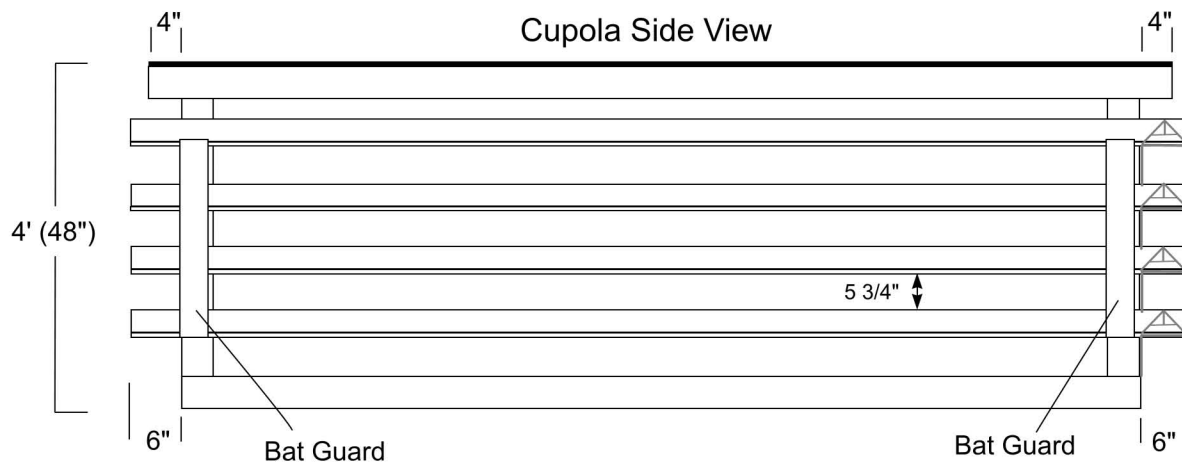


Vertical Column
4"x4"x3/8" Angle

Cupola
End
Bars

Cupola Side Bars

Cupola Side View



Vertical Column
4"x4"x3/8" Angle

Top Plate
4"x4"x3/8" Angle

5 3/4"

Bat Guard

5 3/4"

5 3/4"

Sill Plate
4"x4"x3/8" Angle

